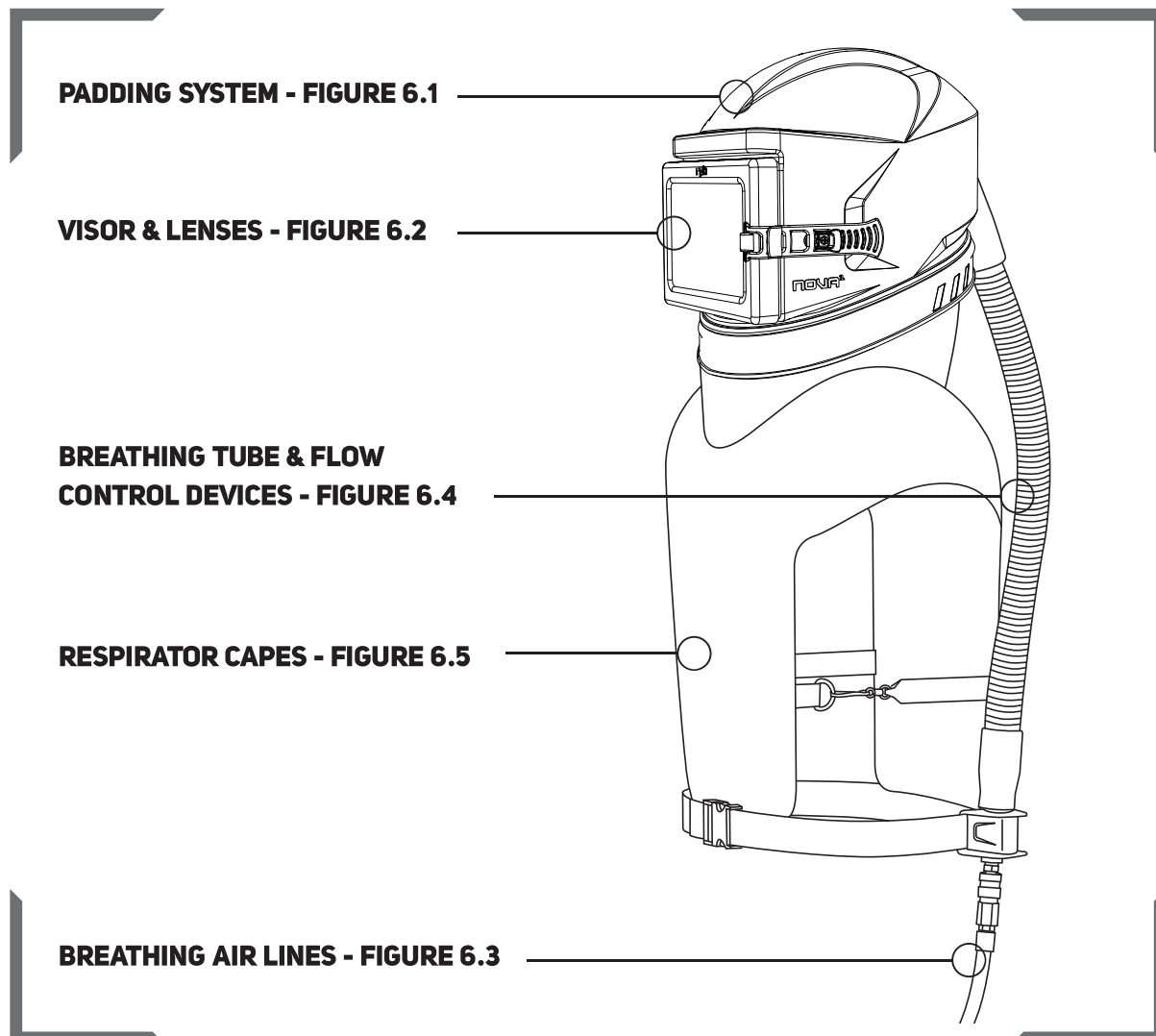


PARTS AND ACCESSORIES

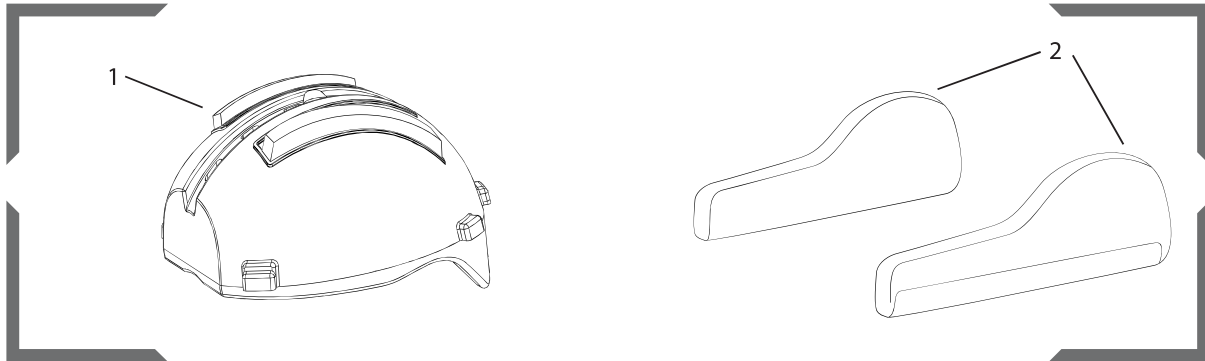


⚠ WARNING

Use only exact, authentic RPB® replacement parts (marked with the RPB® logo and part number), and only in the specified configuration. Using incomplete or inappropriate equipment, including the use of counterfeit or non-RPB® parts, can result in inadequate protection and will void the EN 14594 (AS/NZS 1716) approval of the entire respirator assembly.

PARTS AND ACCESSORIES CONTINUED

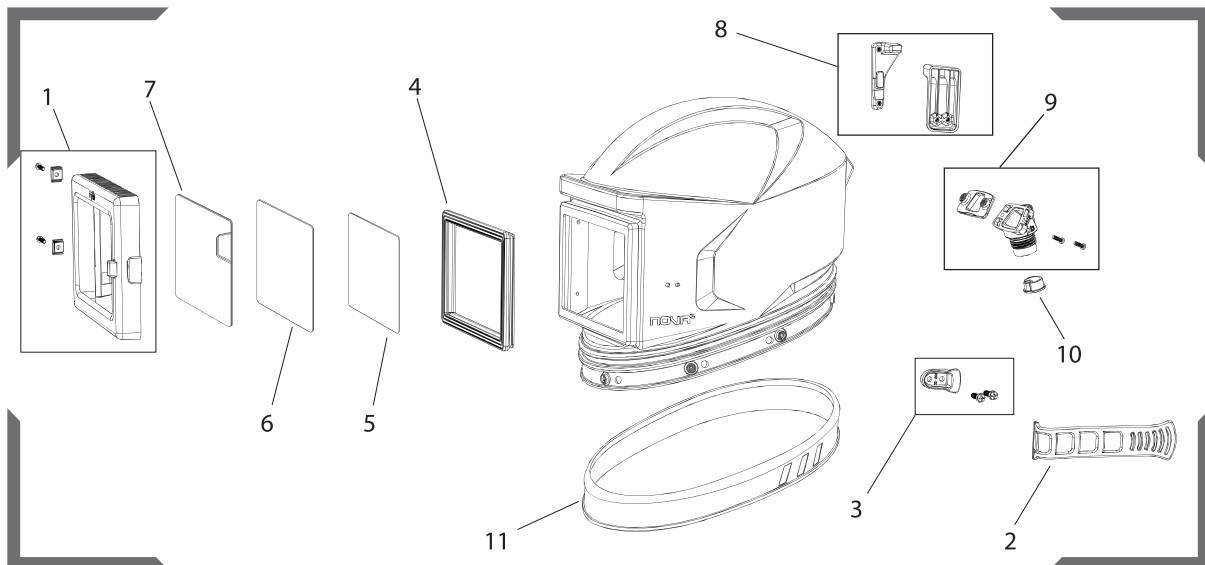
PADDING SYSTEM *Figure 6.1*



- 1 Polystyrene Helmet Liner (Sizes S, M & L)
- 2 Sidewings (Sizes S, M & L)

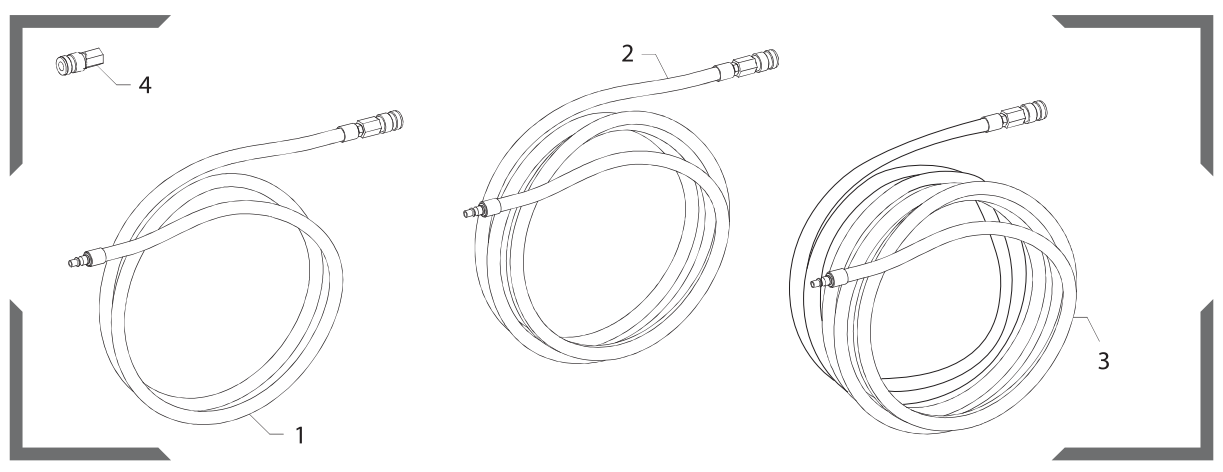
NV2009
NV2010

VISOR AND LENSES *Figure 6.2*



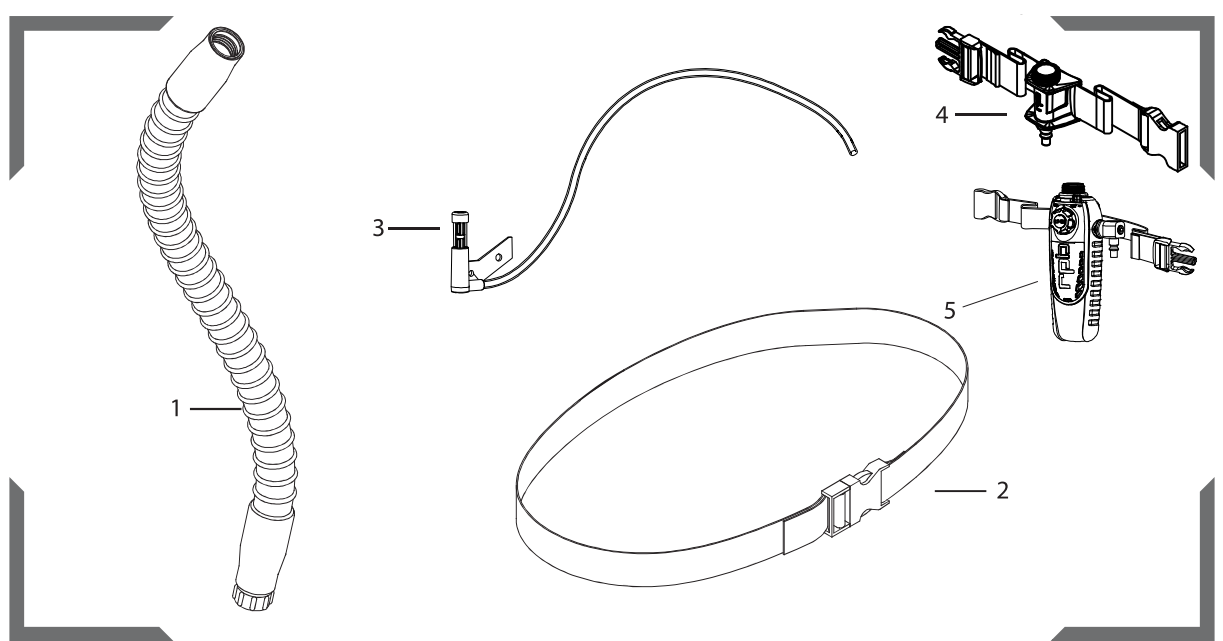
- | | | | | | |
|---|------------------------|------------|----|--|-----------|
| 1 | Visor Kit | NV1-124 | 8 | Support Brackets - (Left and Right) | NV1-123 |
| 2 | Visor Strap | NV1-125 | 9 | Air Inlet Kit - (Inlet, O-Ring, Back Plate, Strap) | NV3- |
| 3 | Cleat | NV1-126 | 10 | Low Flow Indicator Adaptor | NV3-729-2 |
| 4 | Gasket Seal | 02-807 | 11 | Cape Coverband | NV3-759 |
| 5 | Inner Lens (Pkt of 10) | 02-810 | | | |
| 6 | Outer Lens (Pkt of 50) | 02-811-015 | | | |
| 7 | Tearoff Lens | 02-816 | | | |

BREATHING AIR LINES *Figure 6.3*



- | | | | | | |
|---|-------------------------|-----------|---|------------------------|------------|
| 1 | 7.5m Breathing Air Line | 04-322-25 | 3 | 30m Breathing Air Line | 04-322-100 |
| 2 | 15m Breathing Air Line | 04-322-50 | 4 | Quick Release Coupler | 03-022-CF |

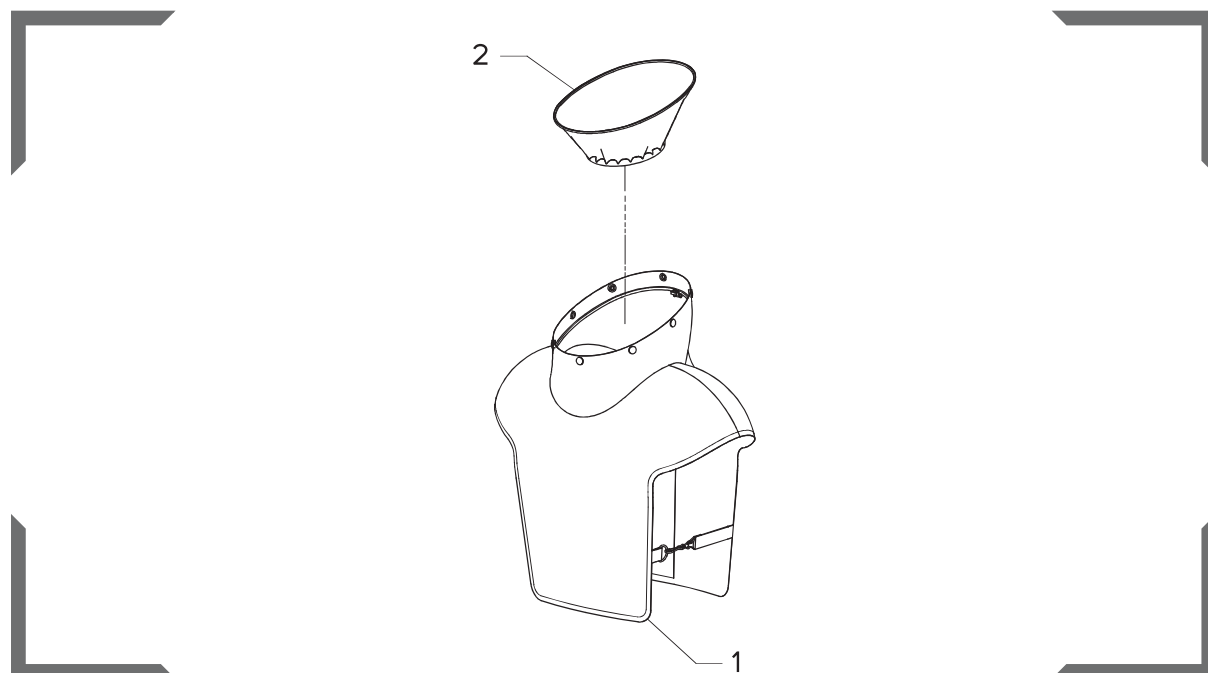
BREATHING TUBE & FLOW CONTROL DEVICES *Figure 6.4*



- | | | |
|---|-----------------------------|---------|
| 1 | Breathing Tube | NV2021B |
| 2 | Belt | NV2022 |
| 3 | Low Flow Indicator | NV2030 |
| 4 | Constant Flow Valve | 03-102 |
| 5 | C40® Climate Control Device | 03-502 |

PARTS AND ACCESSORIES CONTINUED

RESPIRATOR CAPES *Figure 6.5*



- 1 28" Nylon Cape
28" Leather Cape
- 2 Inner Bib

NV3-750
NV3-752
NV2012